



-EMERGENCY START-

MANUAL

Distributed by:
LithiumHub
113 Denver Business Park Dr
Unit C
 Mooresville, NC 28115



Customer Service Line: 704-360-9311
www.lithiumhub.com

Made in China
2020 All rights reserved

Questions or problems? Contact Lithiumhub at "Contact" page on Lithiumhub.com

Emergency Start Model: IC-12V-ES1600



Please read the instruction manual carefully and
use the product correctly

PS18

CONTENTS

One Year Limited Warranty	/	01
Important Safety Instructions	/	02
General Information	/	04
Product Features	/	05
Installation Guide	/	06
Quick Start Guide	/	07
Technical Specifications	/	08

ONE YEAR LIMITED WARRANTY

Period of Coverage: This product is warranted to the original purchaser from the original purchase date for one (1) year and is subject to Warranty Coverage described herein.

Warranty Coverage: This product is warranted by LithiumHub LLC 113 Denver Business Park Dr Unit C Mooresville, NC 28115 to be free from defects in material and workmanship.

This Limited Warranty does not cover defects and damage due to: accidents, act of God, misuse, abuse abnormal use, abnormal conditions, alternation to the product, attachment to any unauthorized accessory; Improper use of an electrical power supply that causes malfunction; loss of power; dropped or crushed product; tampering with or attempt to modify the product; unauthorized opening of the product; transportation damage; theft, vandalism, loss of use during the period the product is at repair facility or otherwise awaiting parts or repair. Failure to operate this product in accordance with the instructions provided in this Owners' Manual supplied with this product. If product is used for commercial or industrial purposes the warranty will be void.

DISCLAIMER: No warranty, written or oral, other than the above warranty is valid with regard to this product. Manufacturer shall not in any way be liable to the purchaser or any third party for any damages the purchaser or any third party may suffer as a result of use, intended or unintended or misuse of this product in conjunction with any device, equipment or accessory other than the appropriate equipment for which the product is designed.

DO not return product warranty service to Retailer. Please return to LithiumHub at address listed above.

IMPORTANT SAFETY INSTRUCTIONS

PLEASE Read this entire manual before attempting to use the product.

WARNING

- (1) Do not damage, drop or crush this product. Do not attempt to use this item that has been dropped, punctured, run over or damaged in any way.
- (2) Do not use this product in explosive environments (dust, bilge, gaseous fumes or flammable materials).
- (3) Do not burn or incinerate this product. It may explode, causing personal injury or damage. Toxic fumes and other potentially harmful materials are created when the battery is burned.
- (4) Do not disassemble this product. It may result in risk of fire, electric shock or exposure to battery chemicals.
- (5) Do not insert foreign objects into case. This item may short circuit. Short circuiting this product will damage the battery and may cause personal injury or fire.
- (6) This is a Lithium ion iron phosphate (LiFePo₄) battery. In the unlikely event that this product leaks battery chemicals, do not allow contact with the skin, eye or mouth as it may cause personal injury or burns. If skin is exposed to battery chemicals wash with soap and water and rinse with vinegar. If your eyes come in contact with the battery chemicals, immediately flush with water and then see a medical professional.
- (7) Never jumpstart a frozen battery.
- (8) Please keep the product away from and out of reach of children.
- (9) Do not expose the battery to temperatures over 140F (60C) or below -14F (-26C)
- (10) If the unit needs to be disposed of for any reason, It must be disposed of properly by calling your nearest lithium-ion battery recycle facility at 1-800-8-BATTERY
- (11) If the product malfunctions or is having problems, discontinue use and contact us at info@lithiumhub.com

WARNING

Warning- always check for the presence of flammable gasses in enclosed areas such as bilge or in an engine compartment. Always properly ventilate areas before attempting the emergency start process. Do not use this product near or in presence of propane tanks, natural gas or any other explosive fumes that may accumulate, especially in low or enclosed areas. Note that the lead acid battery may vent potentially explosive gases during the process of cranking the engine. ALWAYS KEEP THE AREA WELL VENTILATED to eliminate potentially explosive gases before performing any jump starting process.

- (1) Shield eyes with protective safety glasses or safety goggles.
- (2) Make sure the ignition switch in the vehicle to be jumped is in the OFF position before attaching cables.
- (3) Always put the ground (Black) cable on the non-moving engine ground point.

California Prop 65:

WARNING:

This Product Contains Chemicals, Including Lead, Known To The State Of California To Cause Cancer And Birth Defects Or Other Preproductive Harm.

Wash Hands After Handling

General Information

IONIC permanent mounted "Emergency Start" is capable of jump starting ATV, UTV, Motorcycles, Lawnmowers, cars, trucks, SUV, boats with engine seizures up to 7.2L gas and up to 4.0L diesels. This also includes powersport vehicles, 4 cylinders, inline 6, V8 and V10 engines.

You can mount the Emergency Start on the top or side of the vehicle starting battery. When the time comes to need a jumpstart for your vehicle, simply long press the push button on the unit or use the APP on your smartphone to turn ON the unit to start your vehicle.

Other features are:

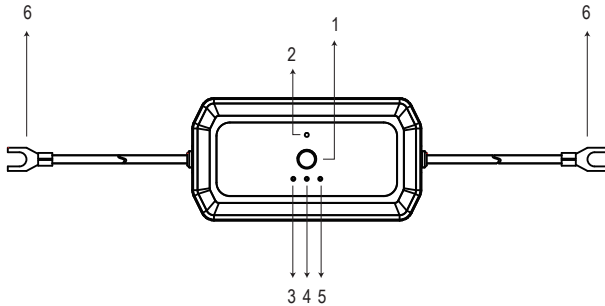
- Our Bluetooth technology and smartphone app gives you the ability to jump start your car without ever leaving the safety of your driver's seat.
- The Ionic Battery's smartphone app is user friendly and easy for anyone to use.
- Feel safe knowing you, your family, and your friends will not be stranded with a dead battery anymore thanks to Emergency Start.
- Charged by vehicle charging system
- Auto-detect disconnect from vehicle drain
- Perfect for cars, trucks, SUV's, ATV's, boats and more
- HI Power - Works on engines up to 7.2L V8 and small diesels (4.0 MAX)
- Permanently mounted on the vehicle's starter battery. Easy to move to another vehicle if desired.
- The Emergency Start stays fully charged and ready to assist the battery when needed.
- Jumpstart your vehicle manually or by Bluetooth from your smartphone
- Waterproof design - IP67

Recharging the Emergency Start unit:

The Emergency Start unit is designed to be charged by a vehicle charging system. Another option is to use a charger such as ionic 12V 4A charger to charge up the Emergency Start. It might take 30sec to start charging process.

We recommend charging the unit every 6 months for optimum performance. For charging to occur the Emergency Start temperature needs to be above -2C. Full recharge of the unit should take less than 30min depending on vehicle charging system.

PS18 PRODUCT FEATURES



- (1) Function button: Short press display Battery Level.
Long Press to START.
- (2) BlueTooth Status LED
- (3) Battery Level LED - Low
- (4) Battery Level LED - Medium
- (5) Battery Level - Full
- (6) Battery Connections

Installation Guide : Emergency Starter

- (1) Do not use this product if there are any signs of damage.
- (2) Find an area above or on the side of your existing starting battery to mount your emergency starter battery.
- (3) Clean the surface of the mounting location to stick the velcro stickers to the Emergency starter. Use the additional zip ties if needed for additional support.
- (4) Connect the red cable to the positive side of your battery post or cable.
- (5) Connect the black cable to the negative side of your battery post cable
- (6) Down load "Ionic Red Batteries" APP from either iphone APP store or android playstore.
- (7) Turn On the "Ionic Red Batteries" APP check if the APP connects to the Emergency start unit by pressing on the ON and OFF icon buttons.
- (8) Unit is on automatic standby when you need to a boost.

* Ionic Red Batteries APP *



Installation Guide :

Emergency Starter

The Emergency Starter can be active either by long pressing the start button or with the "Ionic Red Batteries" APP.

When activating by long pressing the start button, the LED lights will start blinking rapidly, indicating cables are active and ready to start the engine.

When activating by the APP, open the APP, "Ionic Red Batteries", and press on the circular "Start" button. The circular button will turn green that will allow you to start your engine. The LED lights on the Emergency Starter will start blinking rapidly, indicating cables are active and ready to start the engine.



Fig. 1 APP Emergency Start - OFF



Fig. 2 APP Emergency Start - ON

The Emergency Start will stay active until a discharge voltage of 13.6V is reached. When reactivating the unit again by repressing the circular button the Emergency Start will stay ON until the Emergency Start battery is fully discharged at ~10V. An engine start attempt can be made during any time when the unit is active.

Any time a charging system is charging, such as from vehicle alternator the Emergency Start will turn ON to receive a charge.

The Emergency Starter disconnects itself automatically from the vehicle battery system when the battery voltage drops below 13.6V, keeping the Emergency Starter at full charge and to prevent the Emergency Start from discharging. If Emergency Starter not used for 3 months, BlueTooth activations is not possible and would need to be reactivated by manually long press on the unit or with a charging system.

TECHNICAL SPECIFICATIONS

Output Voltage: 9V to 15V

Peak capacity 4.5Ah or 18,000mAh equiv.

Dimensions: 6.5in x 3.5in x 1.8in (165mm x 89mm x 44mm)

Weight: 1.7lbs

Start Current: 800A

Peak Current: 1,600A

Cycle life: 2,000 at 80% Depth of Discharge (DOD)

Application Temperature: -4F to +140F (-20C to 60C). Cell performance may degrade at low temperature.

